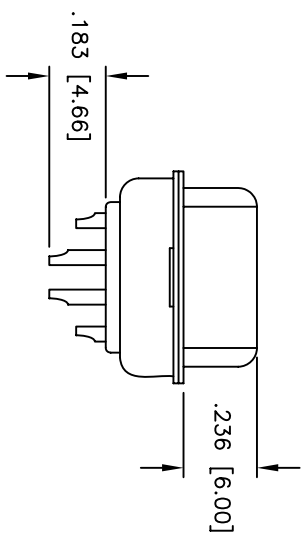
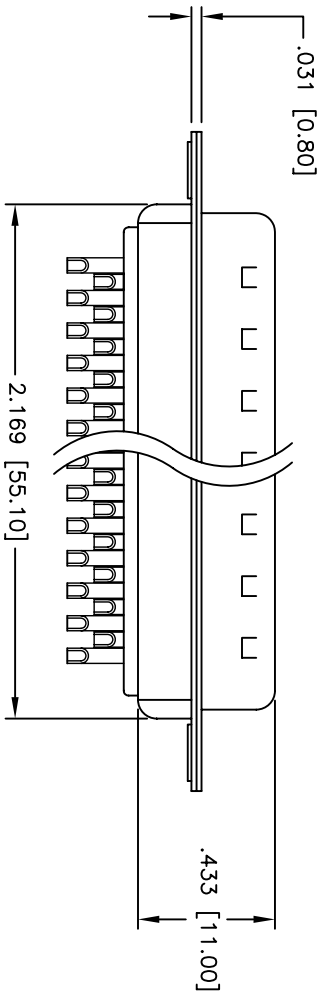
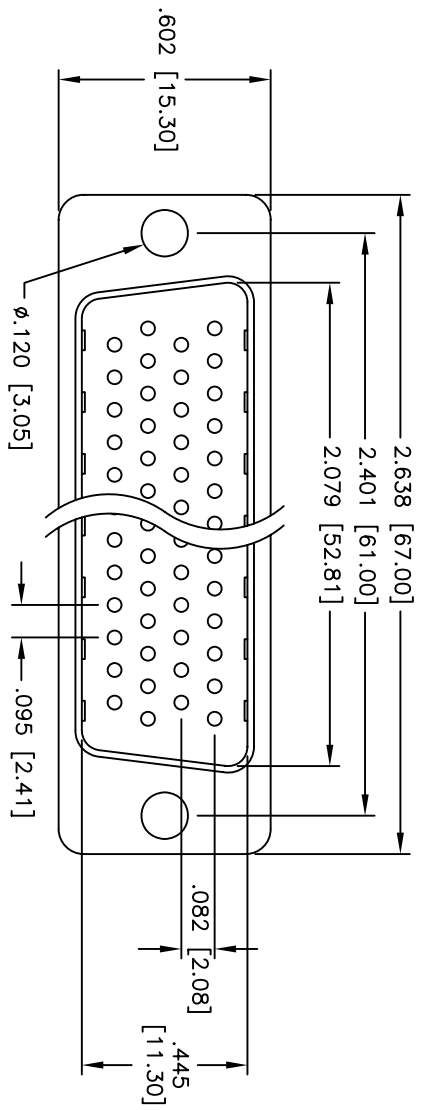


| Rev | AWO # | Description | Date   | Appr |
|-----|-------|-------------|--------|------|
| -   |       | RELEASED    | 5/4/05 |      |

APPROVED: \_\_\_\_\_  
 DATE: \_\_\_\_\_ TITLE: \_\_\_\_\_



**SPECIFICATIONS:**

- Material: Insulator: PBT, glass reinforced, rated UL 94V-0
- Insulator color: Black
- Contacts: Phosphor Bronze
- Shell: Steel, Tin plated
- Plating: Gold flash over Nickel underplate overall
- Electrical: Operating voltage: 250 VAC max
- Current rating: 5 Amps max
- Contact resistance: 20 mohms max
- Insulation resistance: 5,000 Mohms min
- Dielectric withstanding voltage: 1,000 VAC for 1 minute
- Temperature Rating: Operating temperature: -65°C to +125°C
- Environmental: Lead free, RoHS compliant
- Recommended soldering temp: 235°C for 5 seconds



**ADAM TECH**

909 Rahway Avenue, Union, NJ 07083  
 Phone: 908-687-5000 Fax: 908-687-5710

TITLE: 78 POS. HIGH DENSITY D-SUB PLUG  
 SOLDER CUP, .120 [3.05] MOUNTING HOLES

|  |              |
|--|--------------|
| UNLESS OTHERWISE SPECIFIED<br>ALL DIMENSIONS ARE INCHES [MM] |              |
| TOLERANCES: EXCEPT AS NOTED                                  |              |
| INCHES   | HOLDS        |
| .X ± .10   | ØXX ± .10    |
| .XX ± .020   | ØXXX ± .015  |
| .XXX ± .015  | ØXXXX ± .010 |
| APPROVALS  | DATE         |
| DRAWN SS   | 5/4/05       |
| CHECKED  |              |
| APPROVED   |              |

|      |            |              |
|------|------------|--------------|
| SIZE | PART NO.   | REV.         |
| X    | HD778-PD   | -            |
| REF: | SCALE: NTS | SHEET 1 OF 1 |

6 5 4 3 2 1